

*Future proofing enterprise networks*

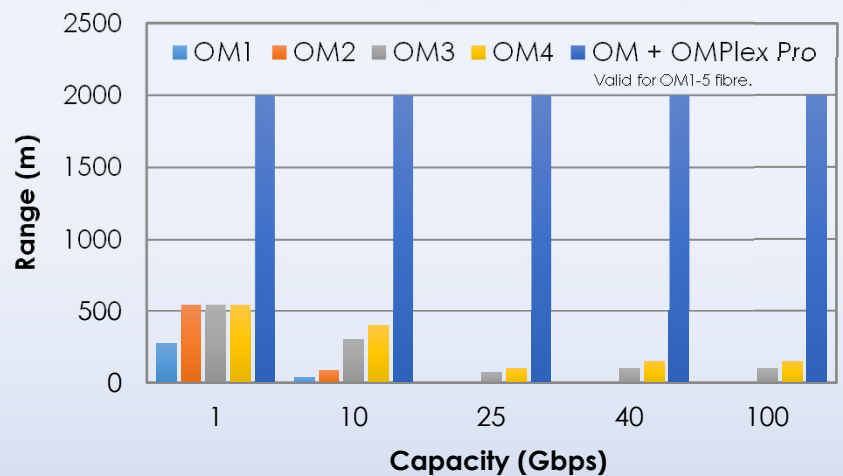
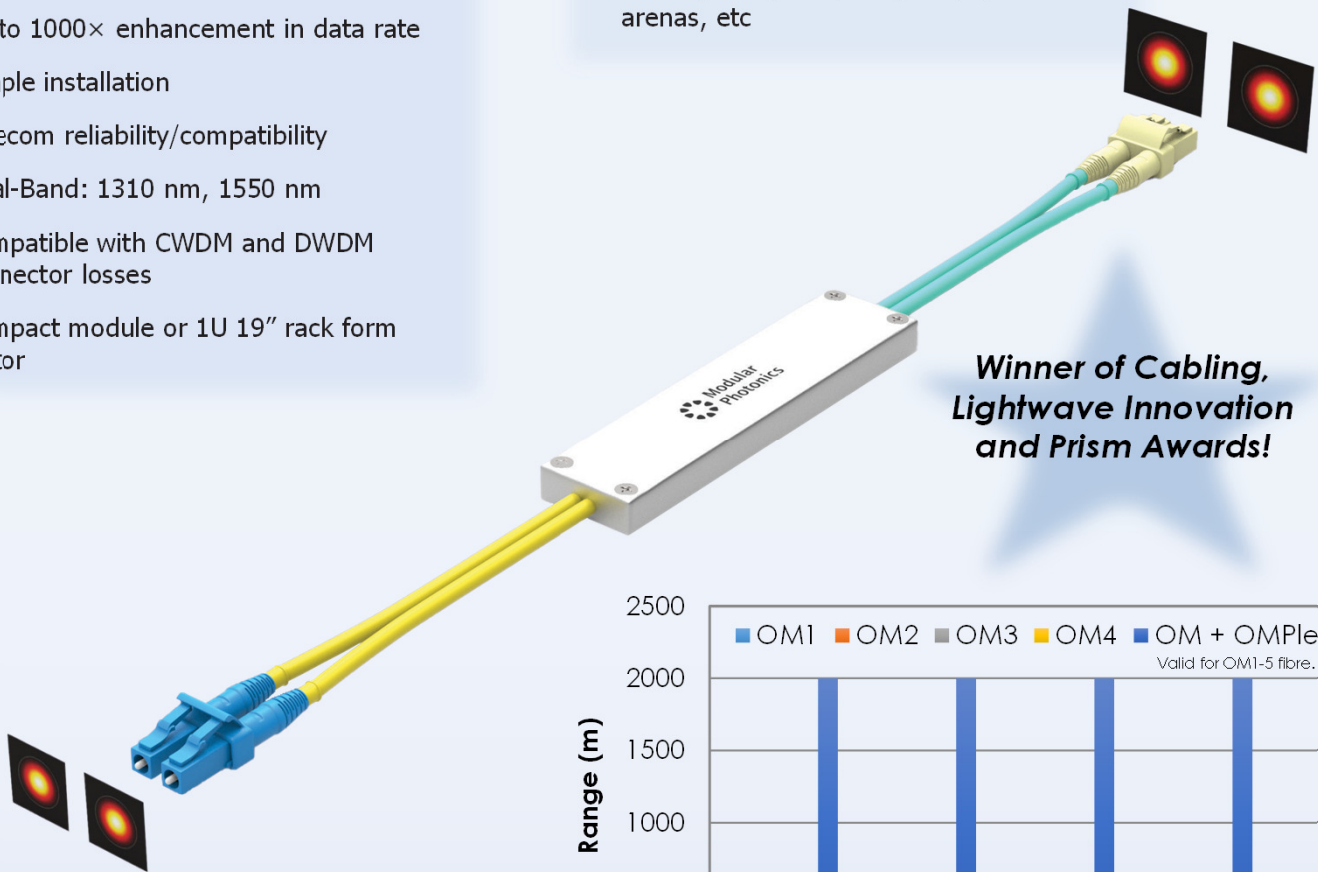
## OMPlex Pro Series

### Key Features

- Cost-effective alternative to recabling for future-proofing multimode fibre networks
- Single-mode performance across legacy OM multimode fibre
- Up to 1000× enhancement in data rate
- Simple installation
- Telecom reliability/compatibility
- Dual-Band: 1310 nm, 1550 nm
- Compatible with CWDM and DWDM connector losses
- Compact module or 1U 19" rack form factor

### Applications

- Retrofitting OM1-5 multimode fibre networks
- Enterprise networks, data centres, multi-building campuses, hospitals, sports arenas, etc



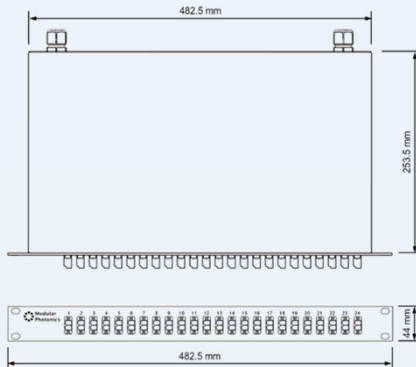
## OMPlex Pro - Single-mode performance without recabling

Connecting OMPlex Pro devices to the ends of legacy OM multimode fibre enables single-mode fibre performance of up to 100 Gbps. OMPlex by Modular Photonics future proofs your optical fibre networks without recabling, allowing for state-of-the-art data rates and transmission ranges. OMPlex devices provide ease of installation and telecom grade reliability.

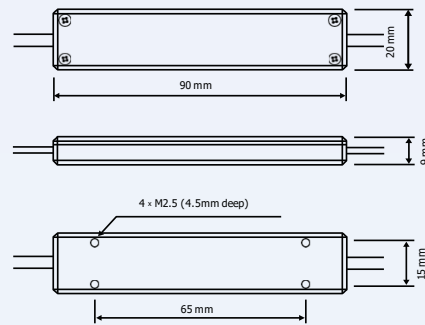
## Future proofing enterprise networks

### Specifications

OM Plex Pro performance has been validated using up to 100G-LR4 transceivers. The devices uses high-precision connectors, or can be spliced directly onto OM fibre.



**OM Plex Pro 48-Core 1U 19" Rack**



**OM Plex Pro 2-Core Module**

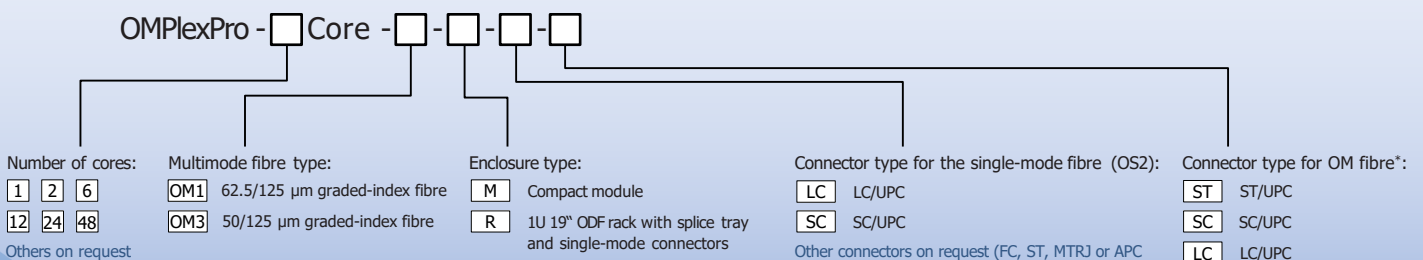
| Parameter  | 1310 nm* | 1550 nm*             |
|--|----------|----------------------|
| Typical back-to-to back insertion loss**         | < 1.6 dB | < 1.7 dB             |
| Maximum back-to-back insertion loss**            | 2.0 dB   | 2.0 dB               |
| Typical single-end insertion loss                | 0.4 dB   | 0.4 dB               |
| Multipath interference coefficient (mode purity) | < -28 dB | < -28 dB             |
| Operating temperature                            |          | -5 to 70 °C          |
| Storage temperature                              |          | -40 to 85 °C         |
| Maximum input power                              |          | 300 mW               |
| Humidity range                                   |          | 5 to 85%             |
| Compatibility                                    |          | IEC 60793, IEC 61754 |

\*Valid for any multimode fibre type (OM1-5).

\*\*Using fibre connectors between devices

Note: Only the module type enclosure can be equipped with connectors on the multimode fibre. The rack mount version is splice-only and only has connectors on the single-mode fibre feed.

### Part Ordering



\*Only the module type enclosure can be equipped with connectors on the multimode fibre. The rack mount version is splice-only and does not come with connectors.

Note: The default fibre length is 1.4 m on the single-mode and multimode side of the device, respectively.